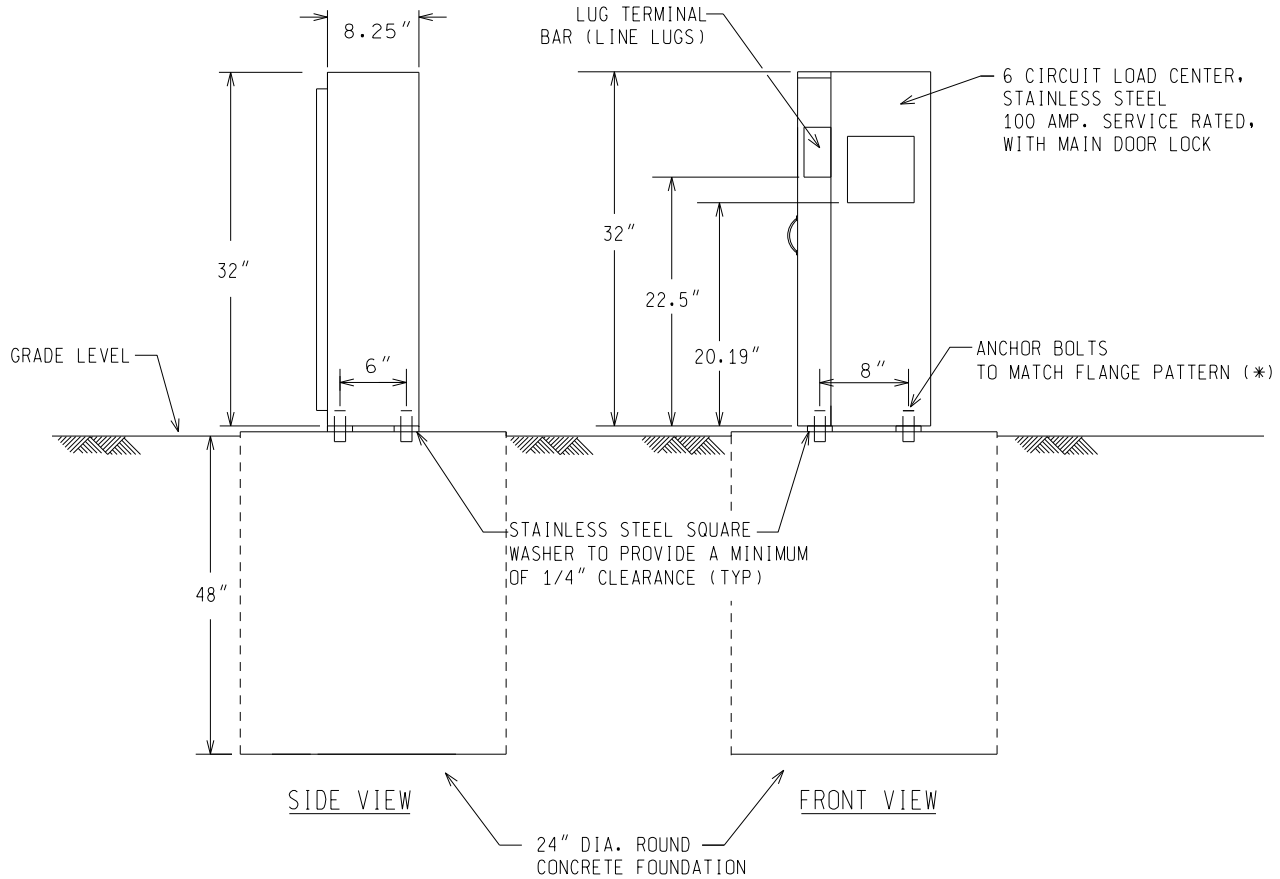
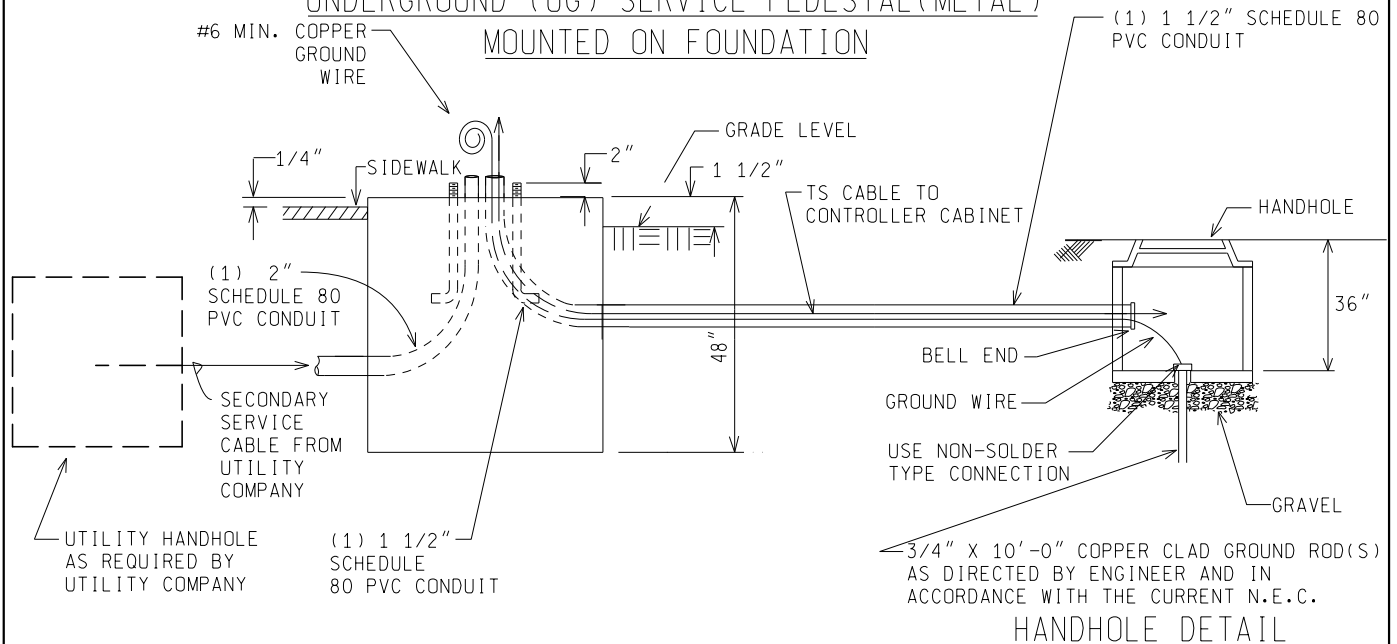


(* NOTE: STAINLESS STEEL ANCHOR BOLTS OR STAINLESS STEEL DROP INS, TO BE USED ON EXISTING FOUNDATIONS WITH PROPER GRADE AND SIZE.



UNDERGROUND (UG) SERVICE PEDESTAL (METAL)
MOUNTED ON FOUNDATION



NOT TO SCALE

File: RefDoc/TR/Signals/Web/Sp Det/Fin/SIG210B.dgn Rev. 02/06/18



PREPARED BY
TRAFFIC AND SAFETY

DRAWN BY: DSP

CHECKED BY:

ENGINEER OF DELIVERY

ENGINEER OF DEVELOPMENT

(SPECIAL DETAIL)

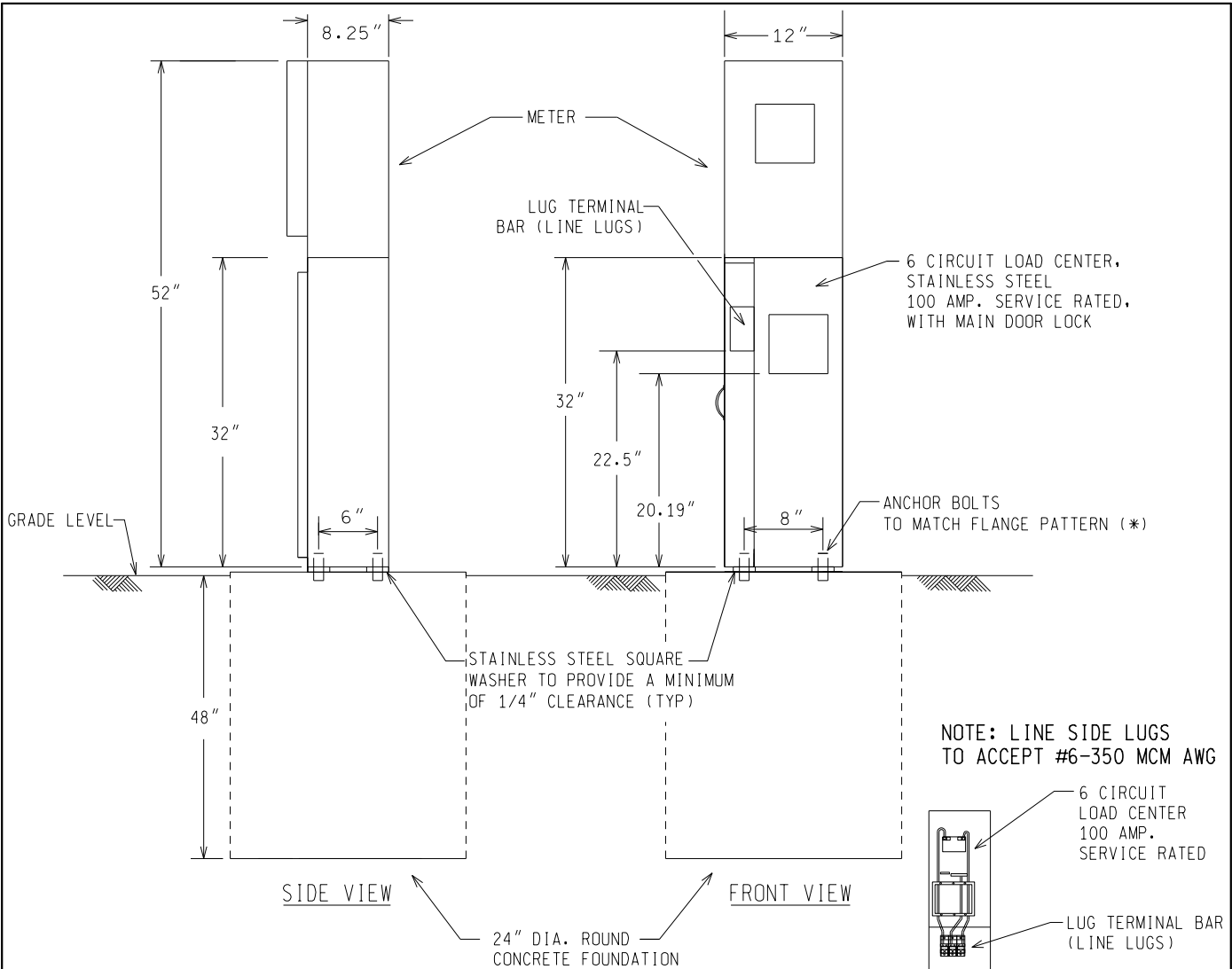
FHWA APPROVAL DATE

MICHIGAN DEPARTMENT OF TRANSPORTATION
BUREAU OF HIGHWAYS DELIVERY STANDARD PLAN FOR
UNDERGROUND SERVICE
METERED AND UNMETERED

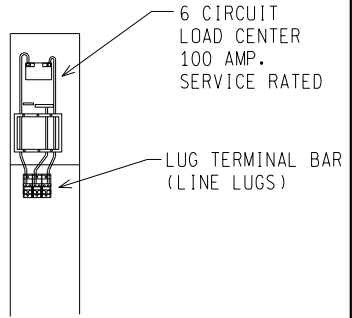
PLAN DATE

SIG-210-B

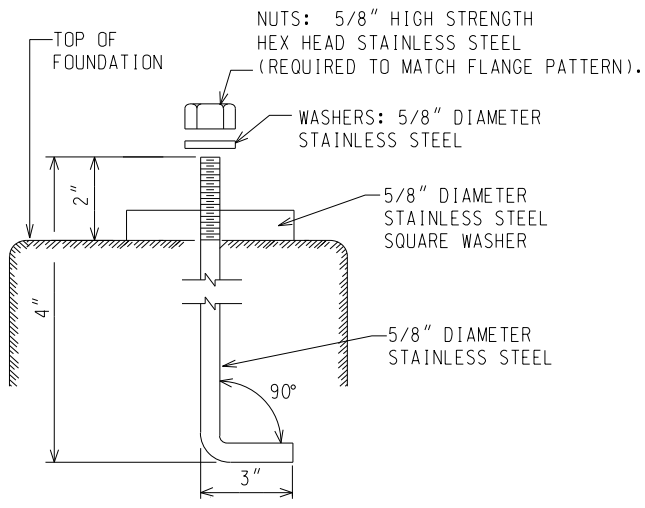
SHEET
1 of 3



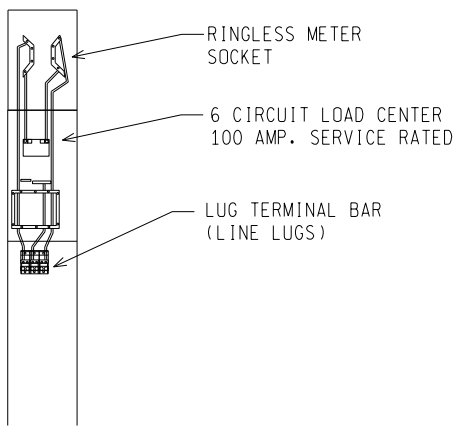
NOTE: LINE SIDE LUGS TO ACCEPT #6-350 MCM AWG



DETAIL WIRING DIAGRAM (UNMETERED)



ANCHOR BOLT DETAIL

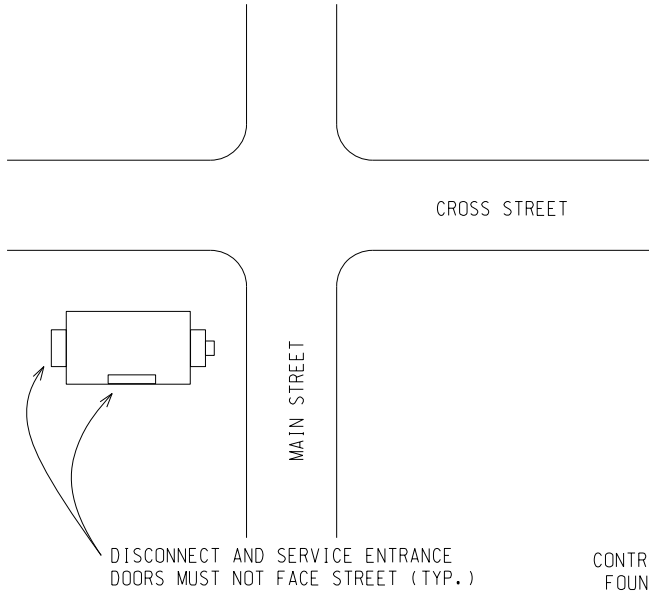


DETAIL WIRING DIAGRAM (METERED)

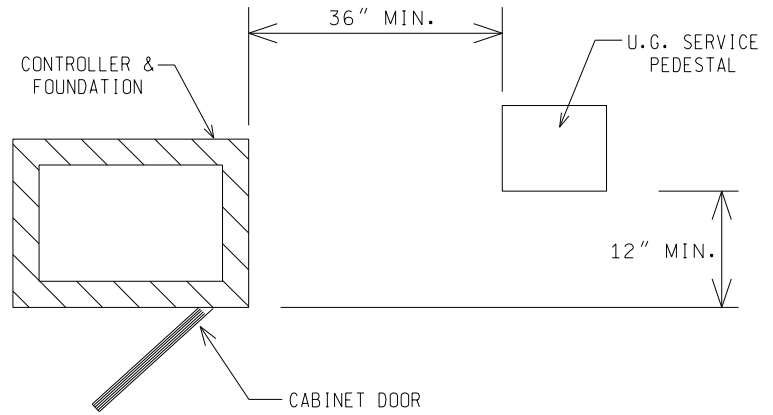
NOT TO SCALE

MICHIGAN DEPARTMENT OF TRANSPORTATION BUREAU OF HIGHWAYS DELIVERY STANDARD PLAN	(SPECIAL DETAIL) FHWA APPROVAL DATE	PLAN DATE	SIG-210-B	SHEET 2 of 3
--	--	-----------	-----------	-----------------

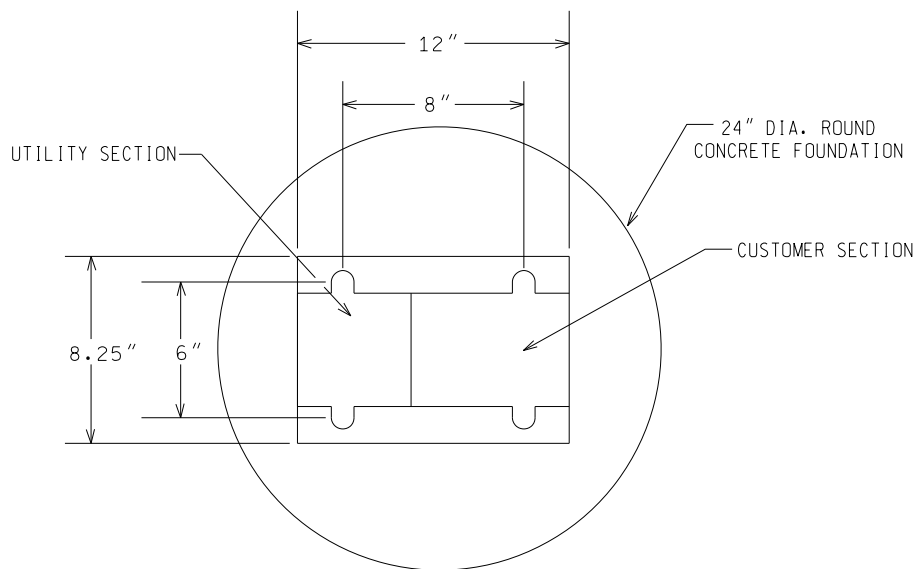
PREFERRED SITE
ORIENTATION PLAN



(PLACE PEDESTAL SO IT DOES NOT INTERFERE WITH FULL OPERATION OF CABINET DOOR)



PREFERRED PEDESTAL & FOUNDATION
ORIENTATION PLAN



BOLT PATTERN LAYOUT

NOT TO SCALE

MICHIGAN DEPARTMENT OF TRANSPORTATION BUREAU OF HIGHWAYS DELIVERY STANDARD PLAN	(SPECIAL DETAIL) FHWA APPROVAL DATE		SIG-210-B	SHEET 3 of 3
File: RefDoc/TR/Signals/Web/Sp Det/Fin/SIG210B.dgn	Rev. 02/06/18	PLAN DATE		